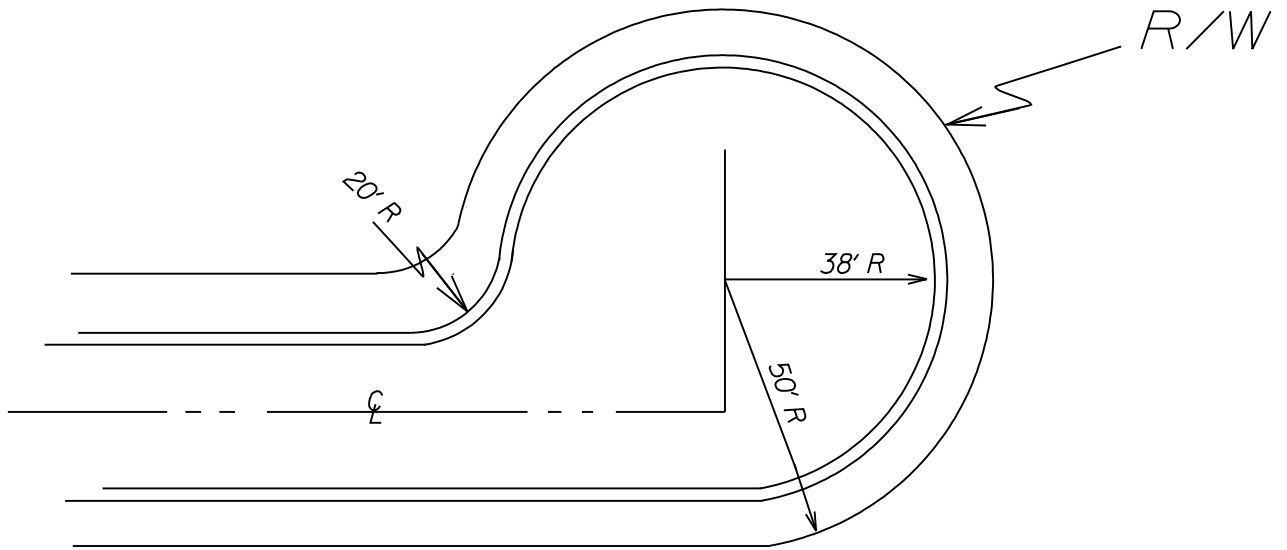


TYPICAL  
RESIDENTIAL CUL-DE-SAC  
DETAIL 104A

*NOTE: Commercial Cul-De-Sac to have a 58' paved radius.  
If any islands are built, the radius must be 25' or greater and is subject to the Fire Department review.*



TYPICAL OFFSET CUL-DE-SAC  
DETAIL 104B

