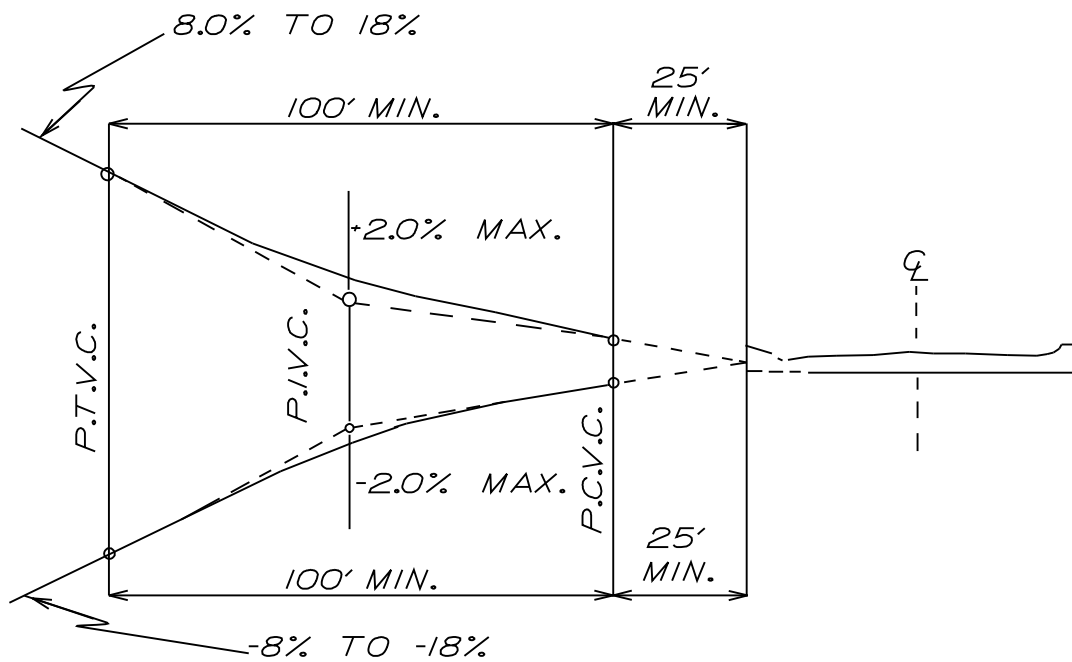


LANDING REQUIREMENTS  
FOR GRADES 7.9% OR LESS

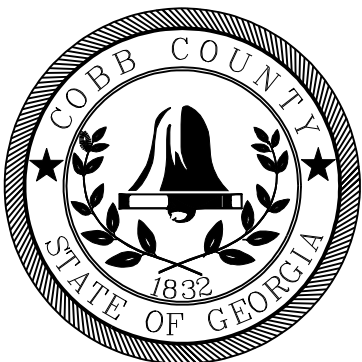


LANDING REQUIREMENTS  
FOR GRADES 8.0% TO 18% MAX

NOTE: A 1% landing is allowable.

All other grades are to be 1.5% Min.

For street grades other than a local, refer to Development Standards Section 401.2.02.



INTERSECTION LANDING REQUIREMENTS  
DETAIL 103